

# Drax® Liquidator™

## ANT BAIT SYSTEM

### DIRECTIONS FOR USE

To prepare the liquid bait system: Remove a Drax® Liquidator™ Baiting Unit from the carton and remove the translucent cap. Next, remove a Drax Liquidator Ant Bait refill cup from the carton and insert it into the Liquidator baiting unit. Align the child-resistant stainless steel locking clip with the slotted channel on the bottom of the plastic receptacle. Taking care not to tip the cup, carefully peel off the protective foil seal. Place the translucent cap on top and snap into place. Snap the stainless steel barbed clip prongs over the top lip of the translucent cap until they lock snugly.

**OUTDOORS:** Use the spiked weatherproof receptacle and follow directions above. For perimeter baiting, place Drax Liquidator units approximately 3 feet from building and 12 feet apart. Use the spiked end to secure receptacle into the ground where ants are seen entering the building. Place in flower beds, along walkways and along window and door sills. Place directly on ant nests.

**INDOORS:** Use the plastic cup receptacle without the spike and follow directions above. Place Drax Liquidator units indoors in areas where ants are seen. Place behind and under the following: stoves, refrigerators, dishwashers, sinks, counters, shelving, tubs, water pipes, around drains, sewers, electrical boxes, window frames, baseboards and shelves. Secure to surface with removable double-sided tape (enclosed). Renew as needed.

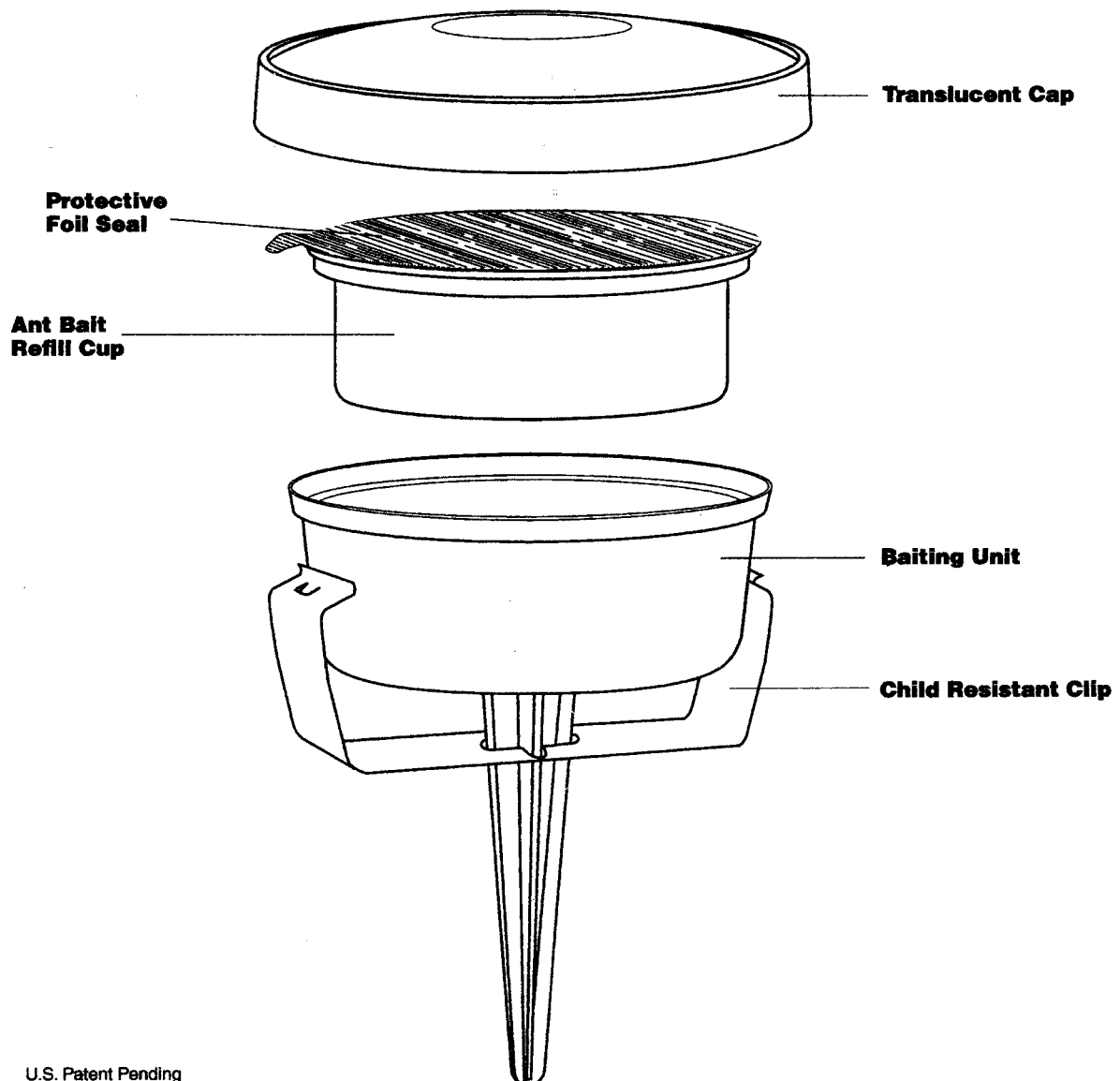
### OUTDOOR USE

Size of House	Number of Liquidator Units
1000 – 1500 sq. ft.	6
2000 – 2500 sq. ft.	12
3000 – 5000 sq. ft.	18

### INDOOR USE

Room Size	Number of Liquidator Units
Any Size Room	1

*For complete use instructions, please see label.*



U.S. Patent Pending



# Drax<sup>®</sup> Liquidator™

## ANT BAIT

**For the control of sugar feeding ants including Argentine ants, ghost ants, pharaoh ants and carpenter ants**

**FOR USE IN Homes, Zoos, Nursing Homes, Ships, Hospitals, Kennels, Grocery Stores, Railcars, Restaurants, Mobile Homes, Hotels, Motels, Schools, Offices, Detention Facilities, Apartments, Warehouses, Factories and Commercial Structures**

**ACTIVE INGREDIENT:**  
Orthoboric Acid.....1.00%  
**INERT INGREDIENTS.....99.00%**  
**100.00%**

**KEEP OUT OF REACH OF CHILDREN**

**CAUTION**

**SEE BACK PANEL FOR ADDITIONAL PRECAUTIONS**

EPA Reg. No. 9444-206 EPA Est. No. 9444-LA-1

**NET CONTENTS 1.3 fl. oz. / 38 ml**

**PRECAUTIONARY STATEMENTS**  
**Hazards to Humans & Domestic Animals**  
**CAUTION**

Harmful if swallowed. Causes eye irritation. Avoid contact with skin, eyes or clothing. Wash thoroughly with soap and water after handling.

**STATEMENT OF PRACTICAL TREATMENT**

**If Swallowed:** Call a physician or Poison Control Center. Drink one or two glasses of water and induce vomiting by touching back of throat with finger. If person is unconscious, do not give anything by mouth and do not induce vomiting.

**If in Eyes:** Flush eyes with plenty of water. Call a physician if irritation persists.

**DIRECTIONS FOR USE**

It is a violation of Federal law to use this product in a manner inconsistent with its labeling. Place liquid bait only in areas inaccessible to children and pets.

**INDOORS:** Place Drax Liquid Ant Bait container indoors in areas where ants are seen. Place behind and under the following: stoves, refrigerators, dishwashers, sinks, counters, shelving, tubs, waterpipes, around drains, sewers, electrical boxes, windowframes, baseboards and shelves. Renew as needed.

**OUTDOORS:** Where ants are seen entering the building place Drax Liquid Ant Bait along walkways, sidewalks, directly on ant nests and along window and doorsills. Renew as needed.

**Food Areas:** (Restaurants, Food Processing and Food Handling Establishments, Dining Rooms, etc.): In Food Areas, application is limited only in areas where food and feed stuff are received, stored, prepared, packaged (canning, boxing, or wrapping) or served. Do not use in edible product areas of food handling establishments, restaurants or other areas where food is commercially prepared or processed. Care must be taken to avoid depositing this product on serving surfaces where food and feed stuff are processed or exposed. Avoid areas likely to be contacted by food. **Non-Food Areas:** Place around water pipes in areas such as garbage rooms, locker rooms, mop closets, boiler rooms and lavatories.

**STORAGE & DISPOSAL**

Do not contaminate water, food or feed by storage or disposal.

**STORAGE:** Store in original container away from food and feedstuffs.

Keep product in a locked storage area. Store in a cool place.

**DISPOSAL:** Do not reuse container. Wrap and place in trash collector.

Manufactured by WATERBURY COMPANIES, INC.  
P.O. Box 1812, Waterbury, CT 06722  
Made in U.S.A.

**MATERIAL SAFETY DATA SHEET**

DATA SHEET # 428160RV

PRODUCT NAME:

DRAX LIQUIDATOR ANT BAIT - ALL SIZES

EPA REG # 9444-206

**SECTION I - General Information**

MANUFACTURED BY: WATERBURY COMPANIES, INC.  
COMMERCIAL PRODUCTS DIVISION  
P.O. BOX 640  
INDEPENDENCE, LA 70443

PRODUCT & SALES INFORMATION: (203) 597-1812

MSDS INFORMATION: (504) 878-6751

DATE REVISED: 10/13/96 DATE PRINTED: 10/14/96

PREPARED BY: J.C.A

HAZARD RATING (NFPA 704):

HEALTH: -1 - FIRE: -0 - REACTIVITY: -0 - SPECIAL: -NONE -

Note: NFPA 704 hazard ratings are general - not comprehensive, and are subject to interpretation. All MSDS information must be considered when evaluating safe material handling procedures.

SHIPPING INFORMATION - PER US DEPARTMENT OF TRANSPORTATION (DOT) REGULATIONS:

DOT STATUS: NOT REGULATED (NON-HAZARDOUS)

PROPER SHIPPING NAME (OR DESCRIPTION IF NOT REGULATED BY DOT): SODIUM BORATE, NON-HAZARDOUS.

HAZARD CLASS: N/A

ID#: N/A

PACKING GROUP: N/A

LABEL REQUIRED: N/A

NATIONAL MOTOR FREIGHT CLASSIFICATION # AND

LTL CLASS: 43520 - CLASS 55

EXPORT SHIPMENTS: Not regulated by international shipping standards. Ship as non-hazardous material when exporting.

**SECTION II - Hazardous Ingredients/Identity Information**

Hazardous components greater than 1.0% (0.1% for carcinogens or suspected carcinogens).

**HAZARDOUS COMPONENTS**

Other: Acid (Boric Acid)	CAS #	OSHA PEL	ACGIH TLV	OTHER LIMITS	% BY WEIGHT
Orthoboric acid	10043-35-3	N/A	N/A	N/A	1.00
Inert ingredients	N/A	N/A	N/A	N/A	99.00

**SECTION III - SARA TITLE III Section 313 Supplier Notification**

This product contains no toxic chemicals which are subject to the reporting requirements of Section 313 of the Emergency Planning and Community Right-to-Know Act of 1986 and 40 CFR 372.

CAS# N/A COMPONENT: N/A PERCENT BY WEIGHT: N/A

This information must be included in all MSDS's that are copied and distributed for this material.

**SECTION IV - Physical/Chemical Characteristics**

BOILING POINT: >212 deg. F

SPECIFIC GRAVITY (H<sub>2</sub>O = 1): 1.3

VAPOR PRESSURE (mm Hg): N/A

MELTING POINT: N/A

VAPOR DENSITY (AIR = 1): N/A

EVAPORATION RATE (BUTYL ACETATE = 1): N/A

SOLUBILITY IN WATER: Soluble

APPEARANCE AND ODOR: Clear, colorless liquid with sweet odor.

**SECTION V - Fire and Explosion Hazard Data**

FLASH POINT (METHOD USED): Not applicable.

FLAMMABLE LIMITS: N.E. LEL: N.E. UEL: N.E.

EXTINGUISHING MEDIA: CO<sub>2</sub>, Dry Chemical, Foam.

SPECIAL FIRE FIGHTING PROCEDURES: None Required.

UNUSUAL FIRE AND EXPLOSION HAZARDS: None Known

**SECTION VI - Reactivity Data**

STABILITY: UNSTABLE: - STABLE: -YES-

CONDITIONS TO AVOID: Contact with acetic anhydride or elemental potassium.

INCOMPATIBILITY (MATERIALS TO AVOID): Acetic anhydride, elemental potassium.

HAZARDOUS DECOMPOSITION OR BY-PRODUCTS: None known.

HAZARDOUS POLYMERIZATION:

MAY OCCUR: - WILL NOT OCCUR: -X-

CONDITIONS TO AVOID: None known.

**SECTION VII - Health Hazard**

ROUTE(S) OF ENTRY: INHALATION? -YES- SKIN? -YES-

INGESTION? -YES-

HEALTH HAZARDS (ACUTE AND CHRONIC): Large amounts absorbed into blood stream from ingestion or through damaged skin may result in erythema, macular rash, nausea, diarrhea, dizziness, depression, CNS effects after 24 hours, through broken skin or 36-72 hours from ingestion. May cause slight irritation to broken skin. Animal studies have shown that ingestion of large amounts of Borates over prolonged periods

of time causes a decrease in sperm production and testicle size in male laboratory animals and developmental effects in fetuses of pregnant female laboratory animals. No evidence of such effects in humans.

CARCINOGENICITY: NTP? -NO- IARC MONOGRAPHS? -NO- OSHA REGULATED? -NO-

SIGNS AND SYMPTOMS OF EXPOSURE: Boric Acid - INGESTION: Acute oral LD50 (rats) 3.16 g/Kg. May cause nausea, vomiting, diarrhea in doses >15gms. EYES: May cause slight, reversible conjunctivitis. SKIN: May cause slight irritation on damaged skin. Acute dermal LD50 >20/Kg (rabbits) INHALATION: Nuisance dust. May cause transitory sneezing and coughing.

MEDICAL CONDITIONS GENERALLY AGGRAVATED BY EXPOSURE: None known.

EMERGENCY AND FIRST AID PROCEDURES: IF SWALLOWED: Call a physician or Poison Control Center. Drink 1 or 2 glasses of water and induce vomiting by touching back of throat with finger. If person is unconscious, do not give anything by mouth and do not induce vomiting. IF IN EYES: Flush eyes with plenty of water. Call a physician if irritation persists. NOTE TO PHYSICIAN: After ingestion or absorption into the bloodstream of large amounts (> 15gms.), symptoms may appear in 24-72 hours. Borates are readily dissipated through the urine (70% in the first 24 hours).

**SECTION VIII - Precautions For Safe Handling and Use**

STEPS TO BE TAKEN IN CASE MATERIAL IS RELEASED OR SPILLED: Wash with soap and warm water. WASTE DISPOSAL METHOD: Do not reuse empty container. Wrap and place in trash collector.

PRECAUTIONS TO BE TAKEN IN HANDLING AND STORING: Apply and place liquid bait only in areas inaccessible to children and pets. In Food Areas, application is limited only in areas where food & feed stuff are received, stored, prepared, packaged (canning, boxing, or wrapping) or served. Do not use in edible product areas of food handling establishments, restaurants or other areas where food is commercially prepared or processed. Care must be taken to avoid depositing this product on serving surfaces where food & feed stuff are processed or exposed. Avoid areas likely to be contacted by food.

OTHER PRECAUTIONS: It is a violation of Federal law to use this product in a manner inconsistent with its labeling. Drax Liquid Bait can be applied to pieces of cardboard, plastic tubing, refillable plastic bait stations, and on absorbing material (cottonballs, sponge, etc.) within a plastic dish. Tape or attach the enclosed "CAUTION" stickers to the refillable bait stations. The "CAUTION" sticker will include the following information: 1) Name of product 2) EPA Reg # 3) Ingredients and percentage 4) Precautionary Statements and 5) Signal Word.

**SECTION IX - Control Measures**

RESPIRATORY PROTECTION (SPECIFY TYPE): N/A

VENTILATION:

LOCAL EXHAUST: Not required.

MECHANICAL (GENERAL): Not required.

SPECIAL: N/A

OTHER: N/A

PROTECTIVE GLOVES: Not required - avoid contact with skin.

EYE PROTECTION: Not required - avoid contact with eyes.

OTHER PROTECTIVE CLOTHING OR EQUIPMENT: None Required.

WORK/HYGIENIC PRACTICES: Follow label instructions.

**SECTION X - SARA TITLE III Section 312 Tier Two Inventory Report Information**

When Completing SARA Title III Section 312 Tier Two Inventory Reports, the following information should be used. See local regulations for additional and complete reporting requirements for the specific site.

CAS # N/A - There is no CAS# for this mixture.

This product should be described as:

PURE ..... LIQUID ..... X

MIXTURE ..... X GAS ..... X

SOLID ..... X

Physical & health hazards:

FIRE ..... REACTIVITY ..... X

SUDDEN RELEASE ..... IMMEDIATE ..... X

OF PRESSURE ..... DELAYED ..... X